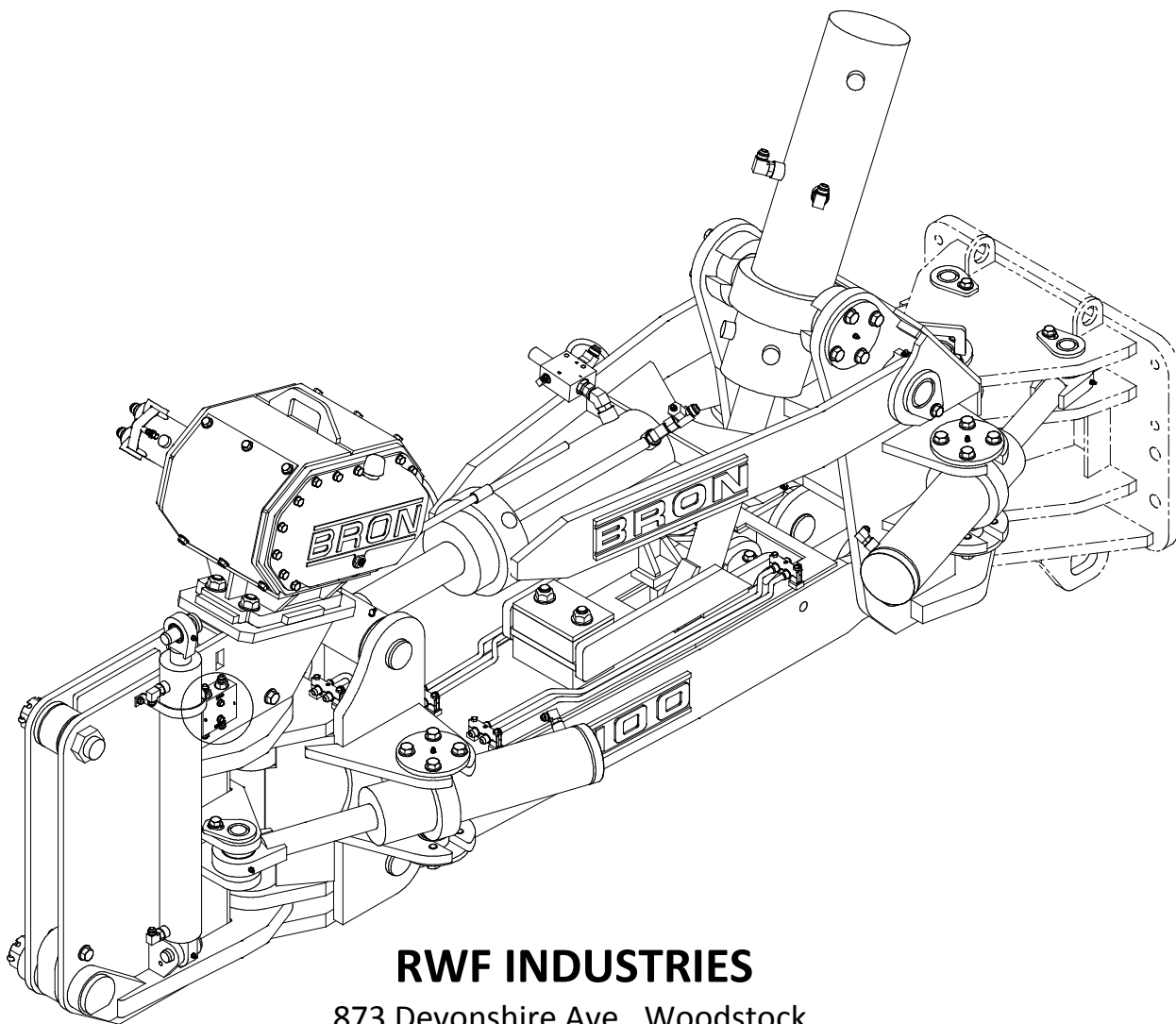


RWF BRON

V100 PLOW PARTS MANUAL



RWF INDUSTRIES

873 Devonshire Ave., Woodstock,

Ontario N4S 8Z4

Tel: (519) 421-0036

Toll Free: 1-800-263-1060

Fax: (519) 421-0028

Email: parts@rwfbron.com

GENERIC PARTS MANUAL

JANUARY 2015

THE INFORMATION CONTAINED IN RWF BRON PARTS AND OPERATOR'S MANUALS IS NOT TO BE REPRODUCED OR DISTRIBUTED TO ANY PERSON OTHER THAN THE INTENDED RECIPIENT

PLOW BREAKDOWN

TABLE OF CONTENTS

***BACKPLATE* 1**

***FRONT MAST* 2**

***UPPER LINK*..... 3**

***LOWER LINK*..... 4**

***DUAL SWING REAR MAST* 5**

***SINGLE SWING REAR MAST* 6**

***DUAL SWING BLADE HOLDER*..... 7**

***SINGLE SWING BLADE HOLDER*..... 8**

***SHAKER BOX* 9**

***SWING CYLINDER*..... 10**

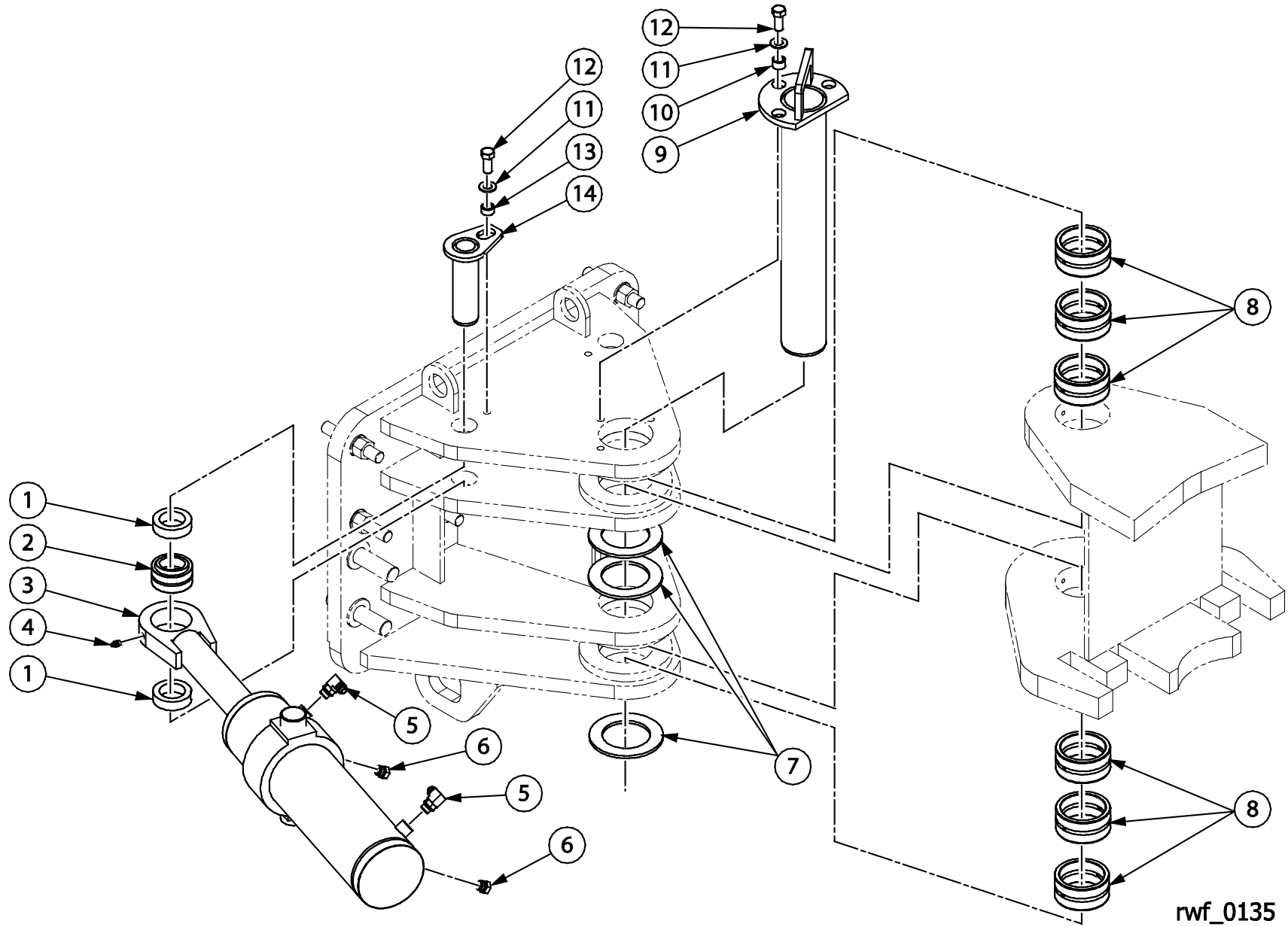
***LIFT CYLINDER*..... 11**

***BLADE LOCK CYLINDER*..... 12**

***STEEL LINES*..... 13**

DECALS **14**

1 BACKPLATE (BACKPLATE SHOWN FOR ILLUSTRATIVE PURPOSES ONLY)



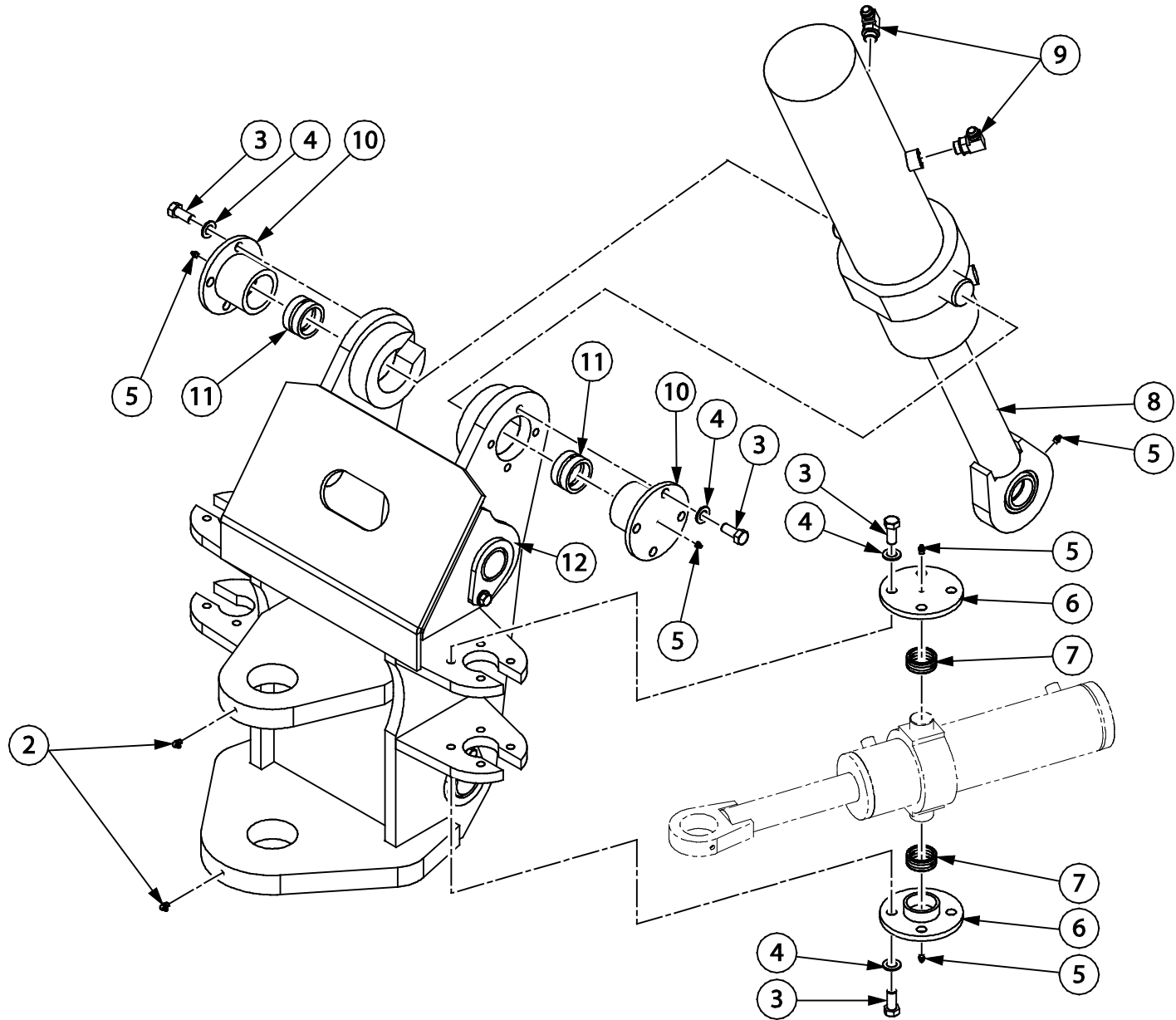
rwf_0135

1 BACKPLATE (BACKPLATE SHOWN FOR ILLUSTRATIVE PURPOSES ONLY)

V100

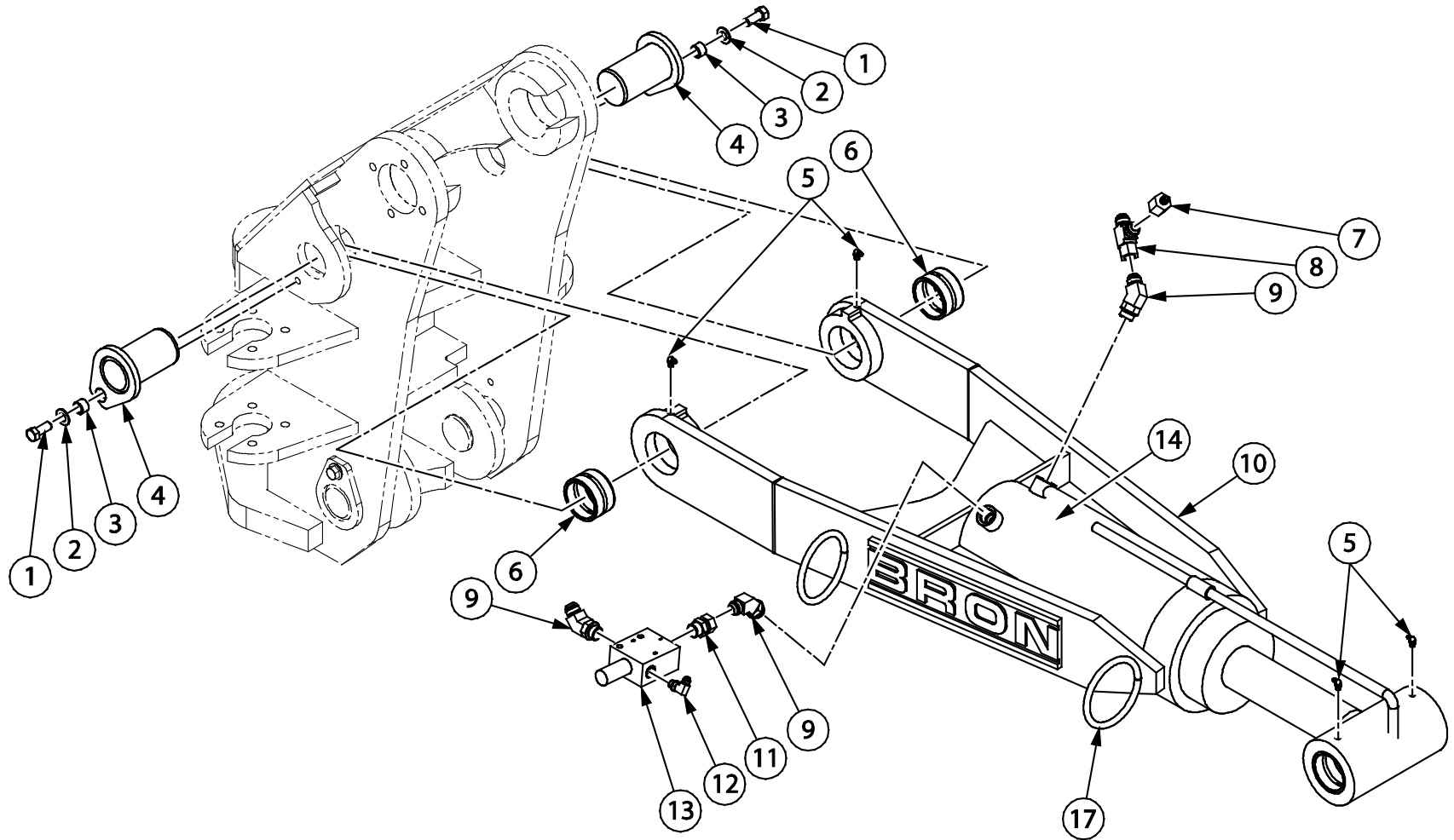
PARTS MANUAL

Item	Quantity	Part Number	Description
1	4	16791	RUBBER SPACER
2	2	15459	SWIVEL BUSHING
3	2	12232	SWING CYLINDER (SEE SECTION 10 FOR ASSEMBLY BREAKDOWN)
4	2	80680	STRAIGHT GREASE FITTING
5	4	90246	90° ADAPTER
6	4	90314	HEX HEAD PLUG
7	3	13033	RETAINER PLATE
8	6	12025	BUSHING
9	1	12973	FRONT PIVOT PIN
10	3	114862	BOLT SPACER
11	5	80581	WASHER
12	5	80090	HEX HEAD BOLT
13	2	115057	BOLT SPACER
14	2	12270	PIN ASSEMBLY



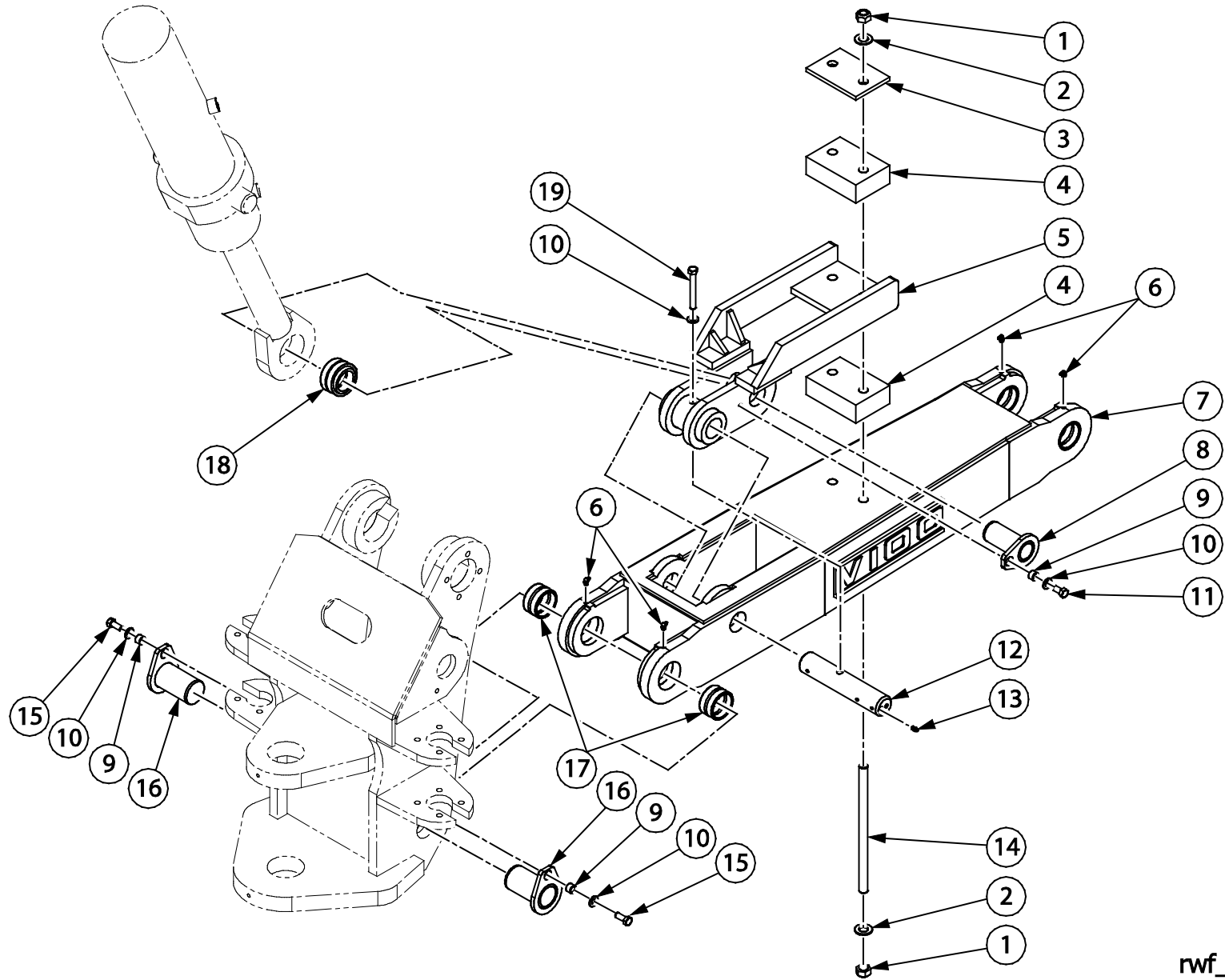
rwf_0136

Item	Quantity	Part Number	Description
2	2	80682	90° GREASE FITTING
3	24	80110	HEX HEAD BOLT
4	24	80582	WASHER
5	7	80680	STRAIGHT GREASE FITTING
6	4	12975	TRUNNION CAP
7	4	15179	BUSHING
8	1	12236	MAIN LIFT CYLINDER (SEE SECTION 11 FOR ASSEMBLY BREAKDOWN)
9	2	90251	90° ADAPTER
10	2	12976	LIFT CYLINDER TRUNNION
11	2	12017	BUSHING



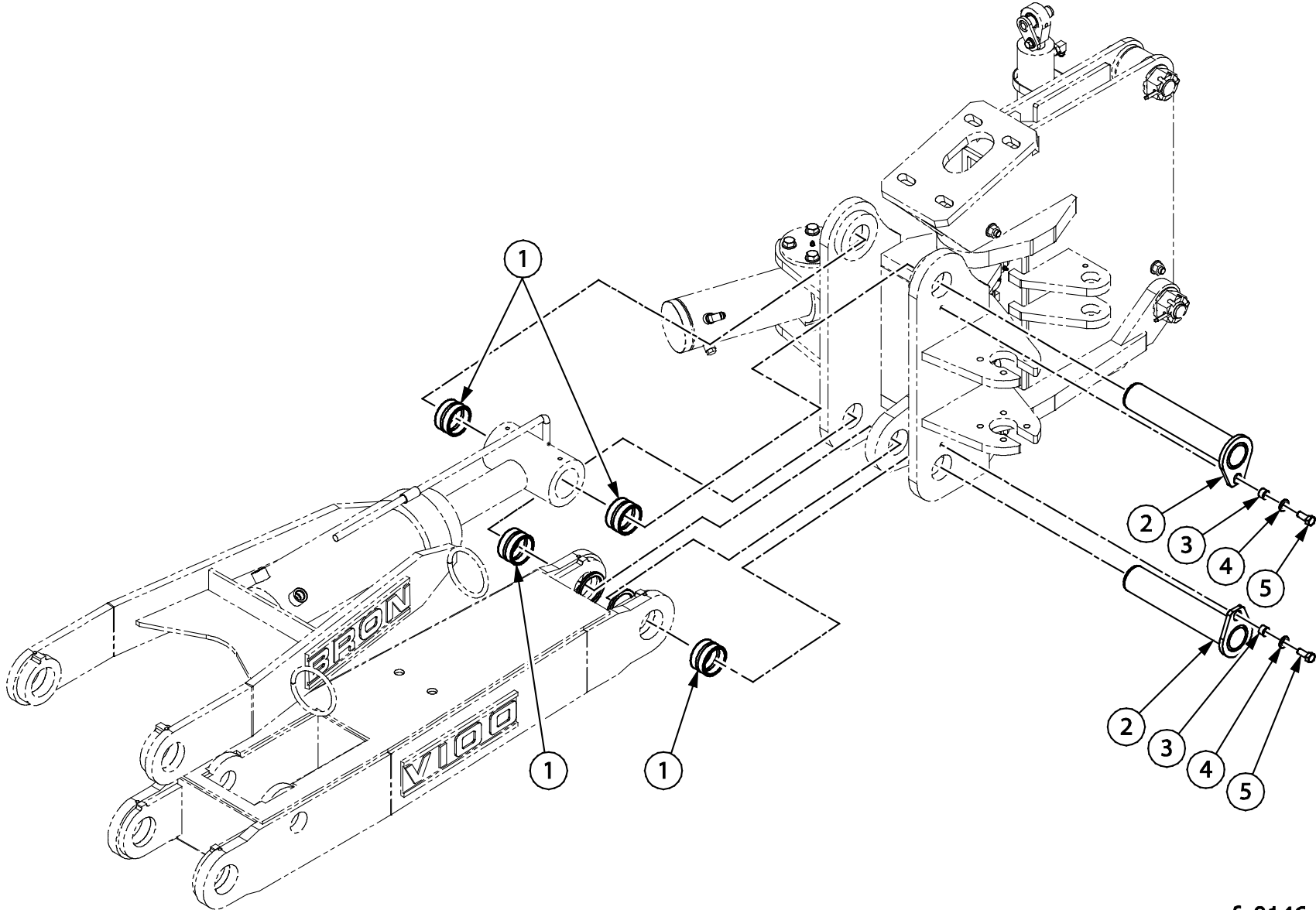
rwf_0137

Item	Quantity	Part Number	Description
1	2	80090	HEX HEAD BOLT
2	2	80581	WASHER
3	2	114862	BOLT SPACER
4	2	12273	PIN ASSEMBLY
5	4	80682	90° GREASE FITTING
6	2	15181	BUSHING
7	1	90361	STRAIGHT SWIVEL REDUCER ADAPTER
8	1	90414	SWIVEL TEE
9	3	90233	45° ADAPTER
10	1	30327	UPPER LINK WELDMENT
11	1	90993	STRAIGHT ADAPTER
12	1	90243	90° ADAPTER
13	1	14816	HOLDING VALVE
14	1	12244	ATTITUDE CYLINDER *CANNOT BE ORDERED SEPARATELY*
16	1	12496	• SEAL KIT
17	2	9900831	STEEL RING

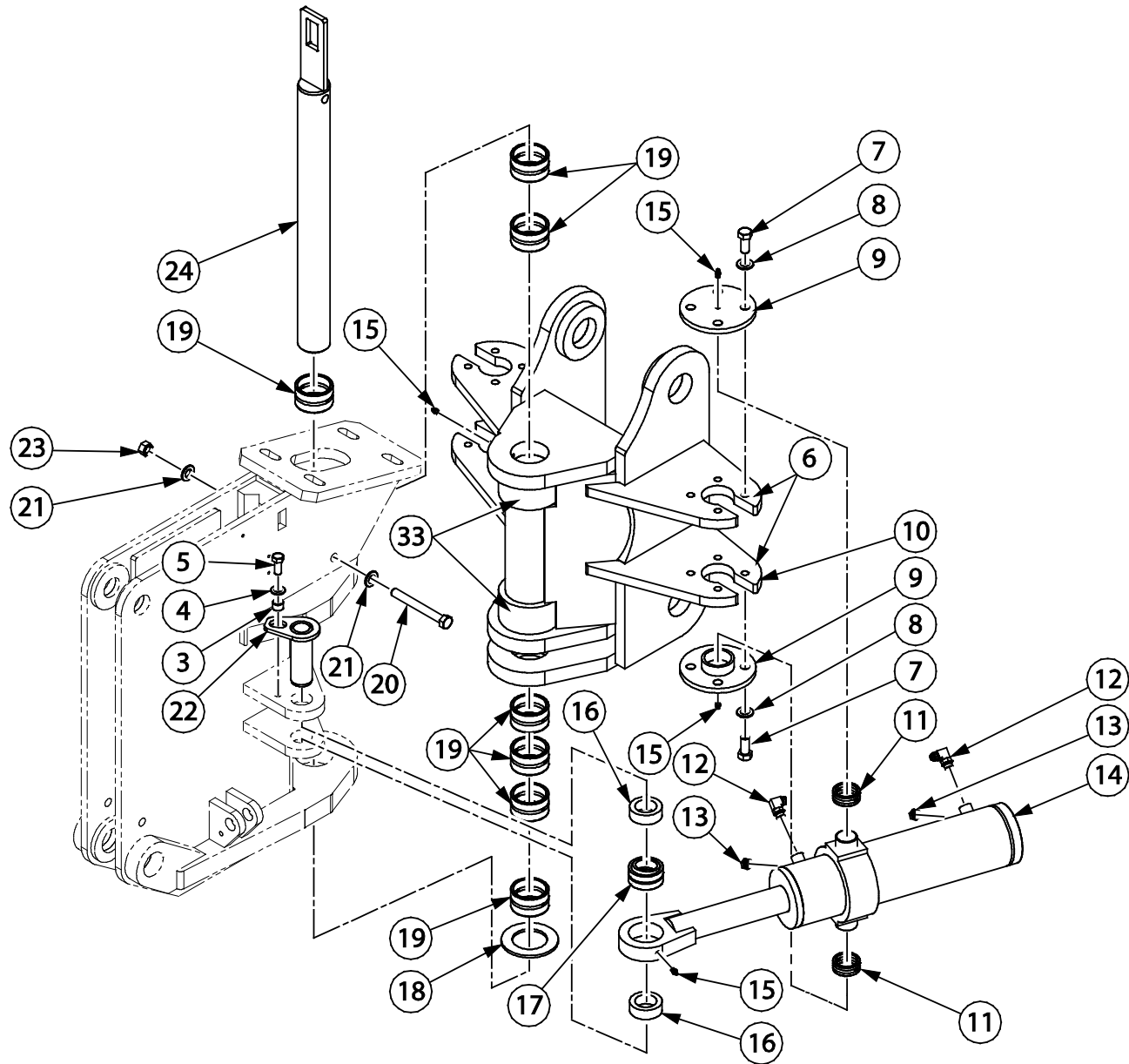


rwf_0145

Item	Quantity	Part Number	Description
1	4	80519	LOCK NUT
2	4	80584	WASHER
3	1	13703	TOP PLATE
4	2	13704	ISOLATOR
5	1	20520	ISOLATOR FRAME
6	4	80682	90° GREASE FITTING
7	1	40422	LOWER LINK WELDMENT
8	1	13697	PIN ASSEMBLY
9	3	114862	BOLT SPACER
10	4	80581	WASHER
11	1	80089	HEX HEAD BOLT
12	1	13698	LIFT CYLINDER PIN
13	1	80680	STRAIGHT GREASE FITTING
14	2	13705	THREADED ROD
15	2	80090	HEX HEAD BOLT
16	2	12273	PIN ASSEMBLY
17	2	15181	BUSHING
18	1	12003	SWIVEL BUSHING
19	1	80102	HEX HEAD BOLT

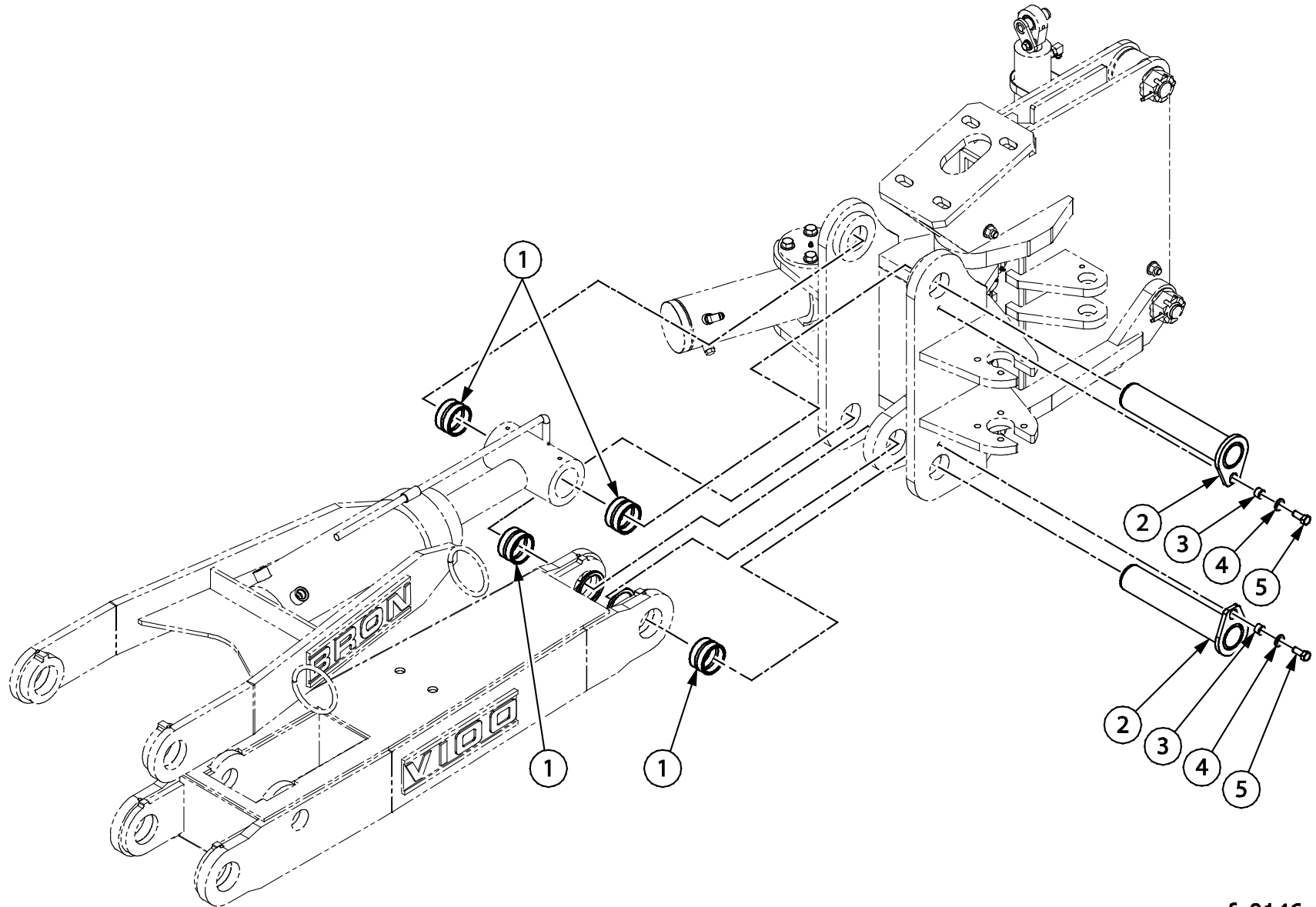


rwf_0146

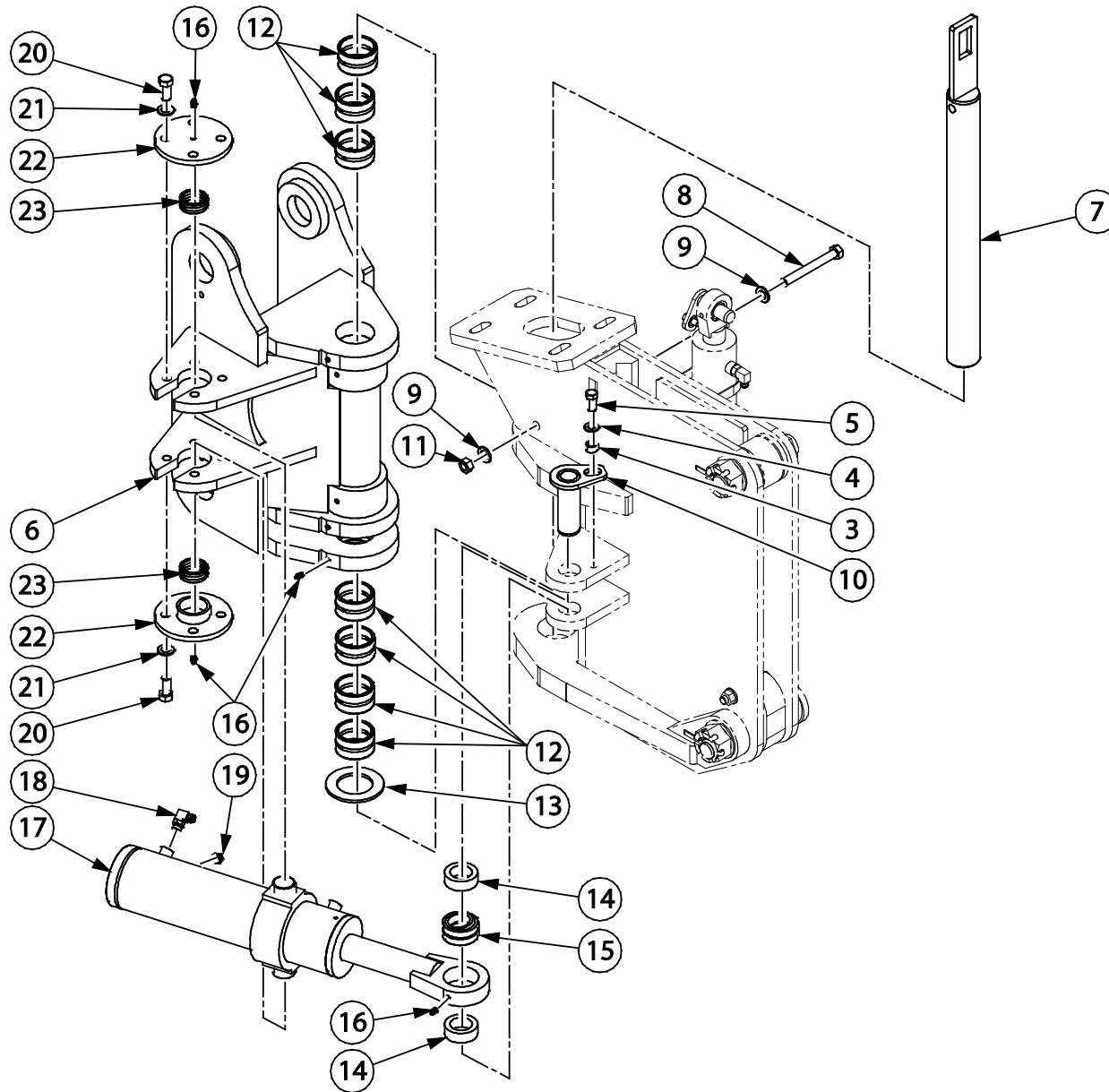


rwf_0147

Item	Quantity	Part Number	Description
1	4	15181	BUSHING
2	2	12276	PIN ASSEMBLY
3	4	114862	BOLT SPACER
4	4	80581	WASHER
5	4	80090	HEX HEAD BOLT
7	16	80110	HEX HEAD BOLT
8	16	80582	WASHER
9	4	12975	TRUNNION CAP
10	1	32717	DUAL SWING REAR MAST
11	4	15179	BUSHING
12	6	90246	90° ADAPTER
13	2	90314	HEX HEAD PLUG
14	2	12232	REAR SWING CYLINDERS (SEE SECTION 10 FOR ASSEMBLY BREAKDOWN)
15	11	80680	STRAIGHT GREASE FITTING
16	4	16792	1 1/32" RUBBER SPACER (SOLD BY THE INCH)
17	2	15459	SWIVEL BUSHING
18	1	12931	BOSS
19	7	15181	BUSHING
20	1	80124	HEX HEAD BOLT
21	2	80582	WASHER
22	2	10493	PIN ASSEMBLY
23	1	80506	NUT
24	1	113704	REAR PIVOT PIN

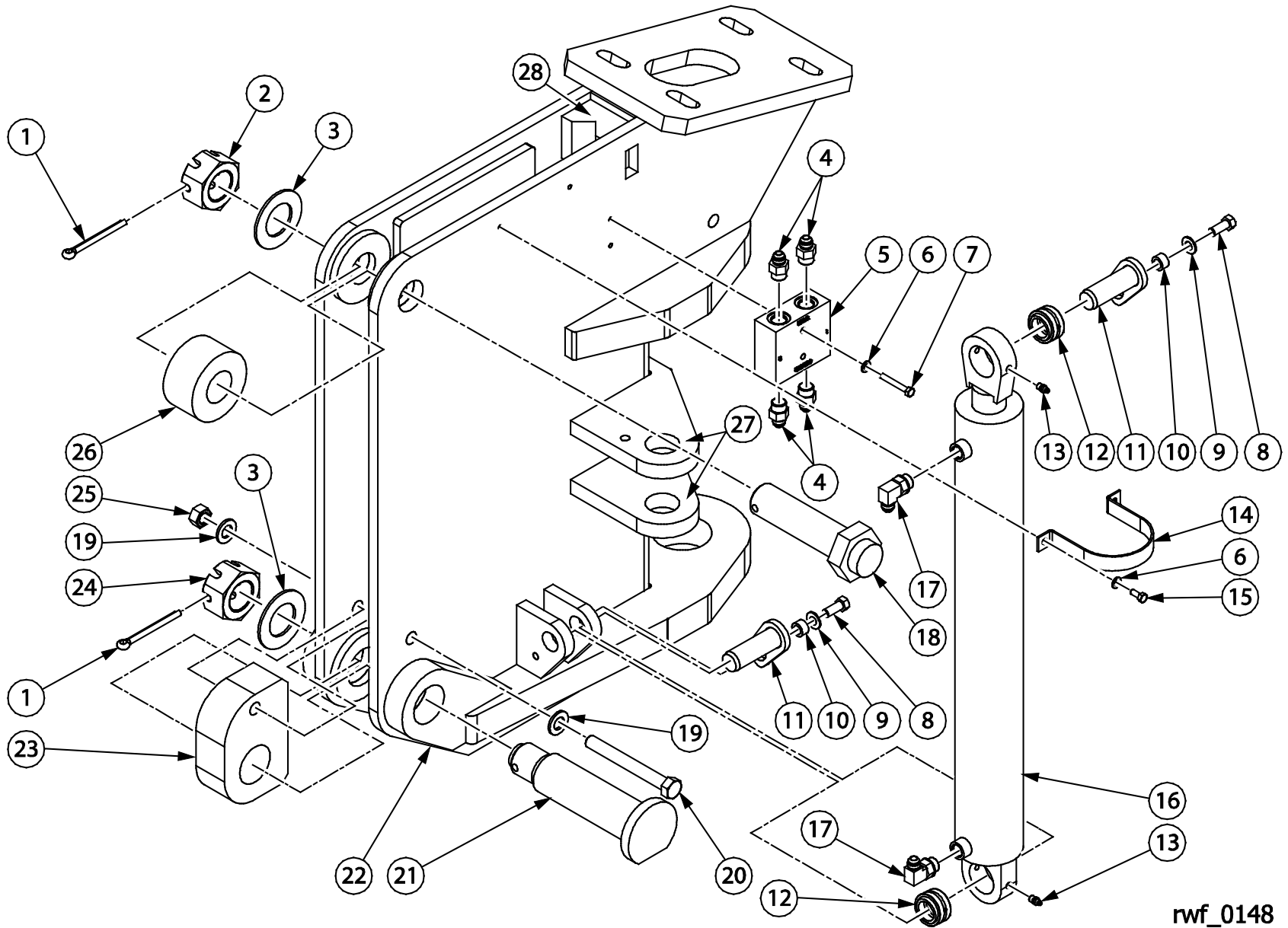


rwf_0146



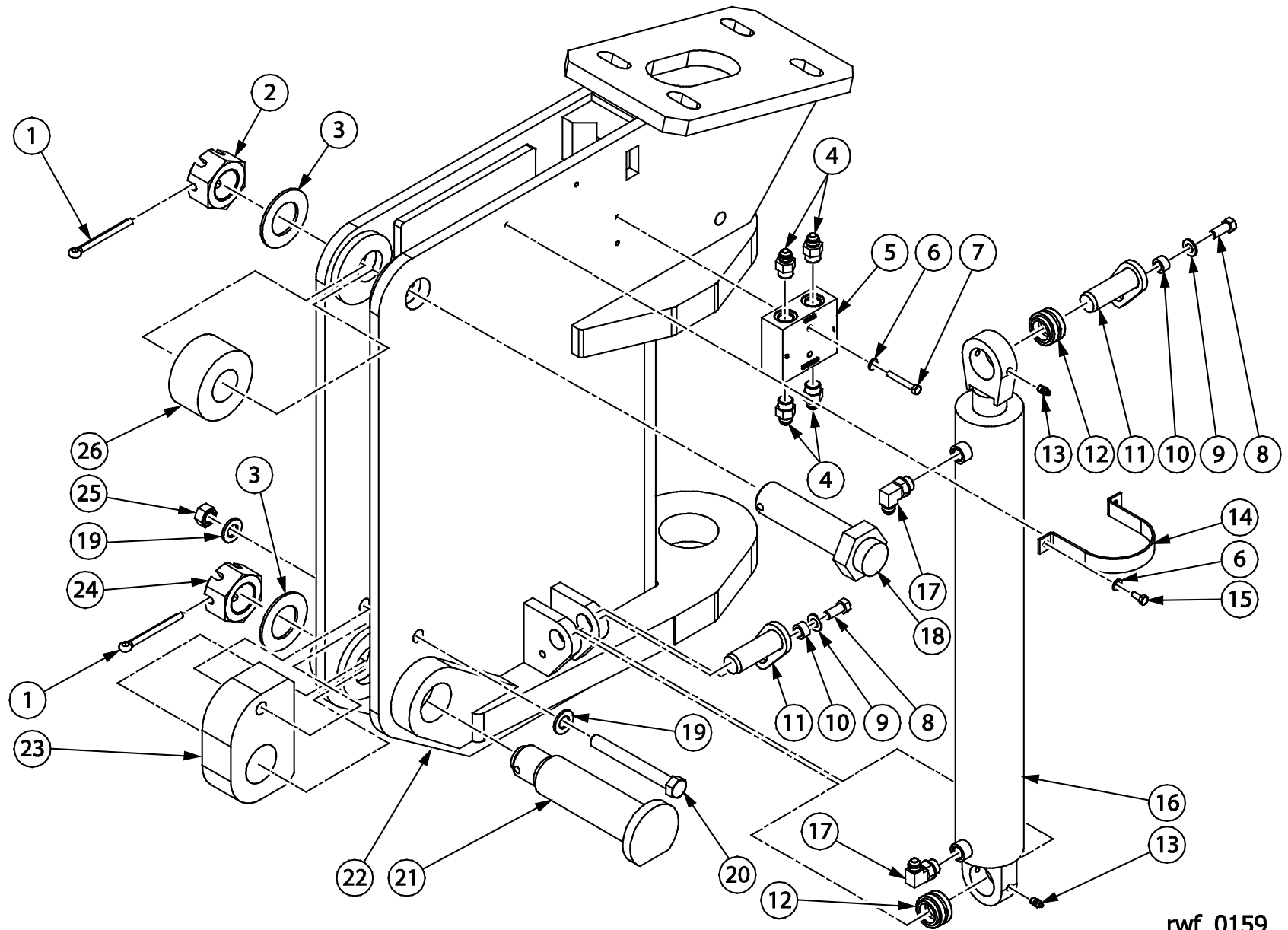
rwf_0158

Item	Quantity	Part Number	Description
1	4	15181	BUSHING
2	2	12276	PIN ASSEMBLY
3	3	114862	BOLT SPACER
4	3	80581	WASHER
5	3	80090	HEX HEAD BOLT
6	1	40379	SINGLE SWING REAR MAST
7	1	113704	REAR PIVOT PIN
8	1	80124	HEX HEAD BOLT
9	2	80582	WASHER
10	1	10493	PIN ASSEMBLY
11	1	80506	NUT
12	7	15181	BUSHING
13	1	12931	BOSS
14	2	16792	1 1/32" RUBBER SPACER (SOLD BY THE INCH)
15	1	15459	SWIVEL BUSHING
16	8	80680	STRAIGHT GREASE FITTING
17	1	12232	REAR SWING CYLINDER (SEE SECTION 10 FOR ASSEMBLY BREAKDOWN)
18	2	90246	90° ADAPTER
19	2	90314	HEX HEAD PLUG
20	8	80110	HEX HEAD BOLT
21	8	80582	WASHER
22	2	12975	TRUNNION CAP
23	2	15179	BUSHING



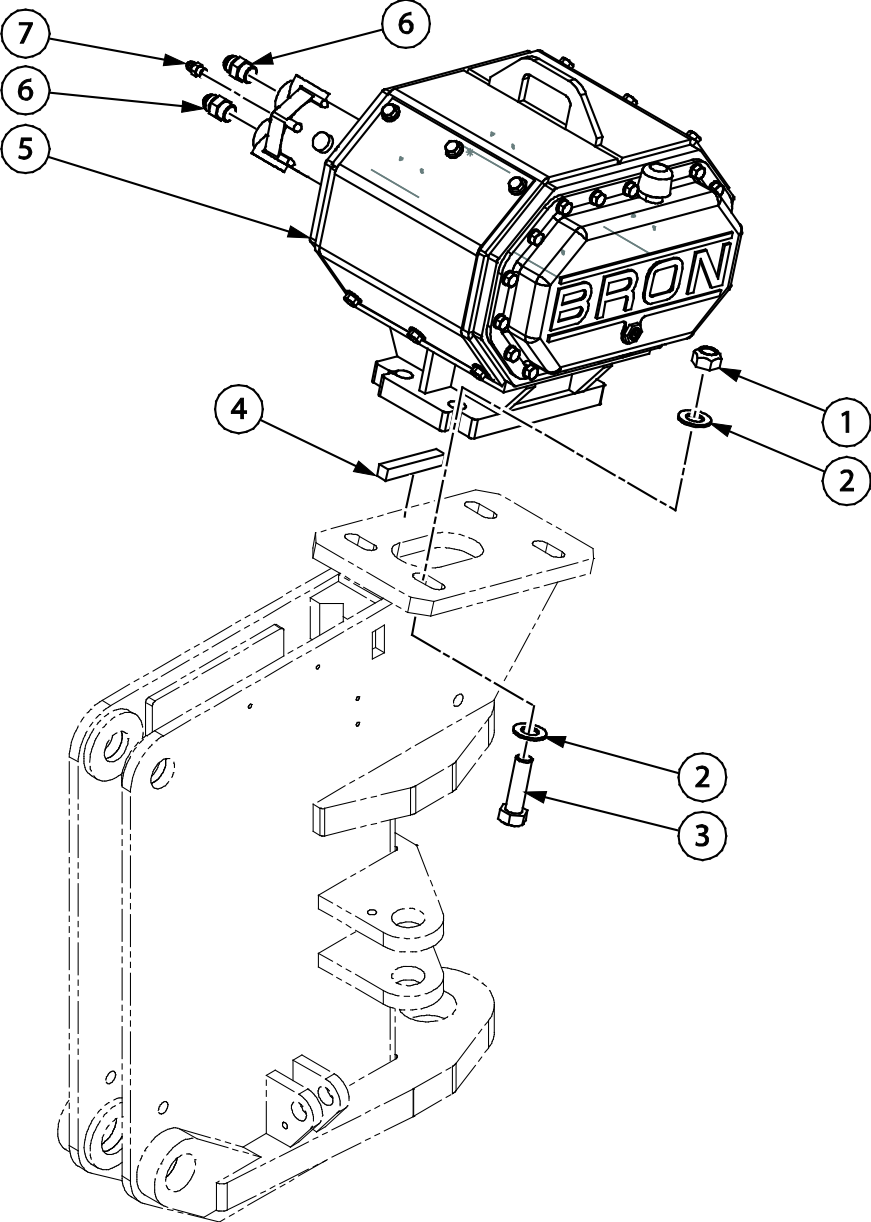
rwf_0148

Item	Quantity	Part Number	Description
1	2	80660	COTTER PIN
2	1	81544	SLOTTED NUT
3	2	80587	WASHER
4	4	90073	STRAIGHT ADAPTER
5	1	13161	DOUBLE LOCK VALVE
6	4	80577	WASHER
7	2	80020	HEX HEAD BOLT
8	2	80070	HEX HEAD BOLT
9	2	80580	WASHER
10	2	115800	BOLT SPACER
11	2	12977	PIN ASSEMBLY
12	2	12981	SWIVEL BUSHING
13	2	80680	STRAIGHT GREASE FITTING
14	1	13175	BLADE HEIGHT CYLINDER GUARD
15	2	80014	HEX HEAD BOLT
16	1	12910	BLADE LOCK CYLINDER (SEE SECTION 12 FOR ASSEMBLY BREAKDOWN)
17	2	90248	90° ADAPTER
18	1	10710	PIN ASSEMBLY
19	2	80582	WASHER
20	1	80124	HEX HEAD BOLT
21	1	12982	LOWER BLADE PIN
22	1	32718	DUAL SWING BLADE HOLDER
23	1	14811	D-LUG
24	1	80544	SLOTTED NUT
25	1	80506	NUT
26	1	14813	SPACER
27	4	139613	SWING LUG PLATE
28	1	118371	GUIDE BLOCK



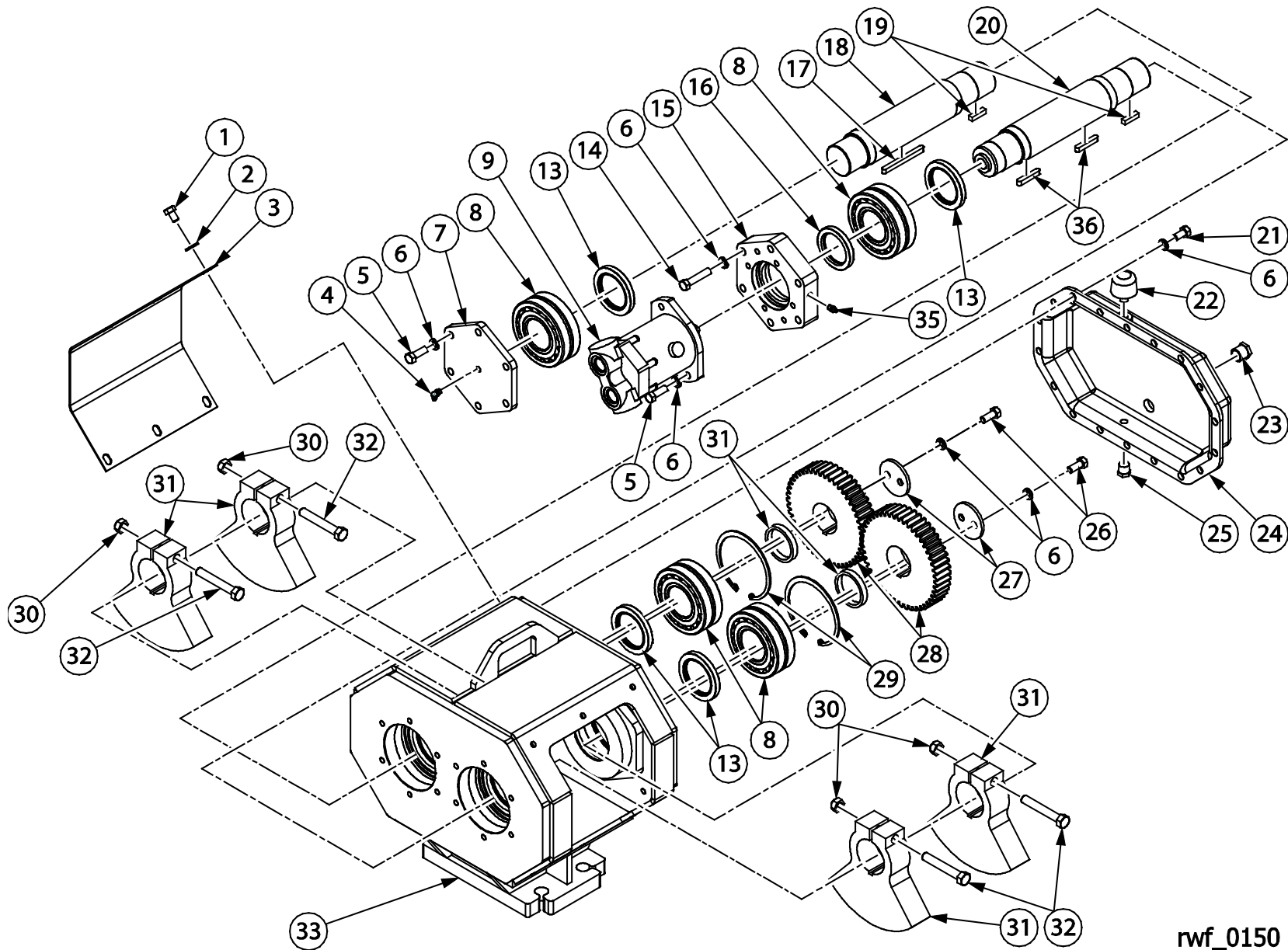
rwf_0159

Item	Quantity	Part Number	Description
1	2	80660	COTTER PIN
2	1	81544	SLOTTED NUT
3	2	80587	WASHER
4	4	90073	STRAIGHT ADAPTER
5	1	13161	DOUBLE LOCK VALVE
6	4	80577	WASHER
7	2	80020	HEX HEAD BOLT
8	2	80070	HEX HEAD BOLT
9	2	80580	WASHER
10	2	115800	BOLT SPACER
11	2	12977	PIN ASSEMBLY
12	2	12981	SWIVEL BUSHING
13	2	80680	STRAIGHT GREASE FITTING
14	1	13175	BLADE HEIGHT CYLINDER GUARD
15	2	80014	HEX HEAD BOLT
16	1	12910	BLADE LOCK CYLINDER (SEE SECTION 12 FOR ASSEMBLY BREAKDOWN)
17	2	90248	90° ADAPTER
18	1	10710	PIN ASSEMBLY
19	2	80582	WASHER
20	1	80124	HEX HEAD BOLT
21	1	12982	LOWER BLADE PIN
22	1	31278	SINGLE SWING BLADE HOLDER
23	1	14811	D-LUG
24	1	80544	SLOTTED NUT
25	1	80506	NUT
26	1	14813	SPACER



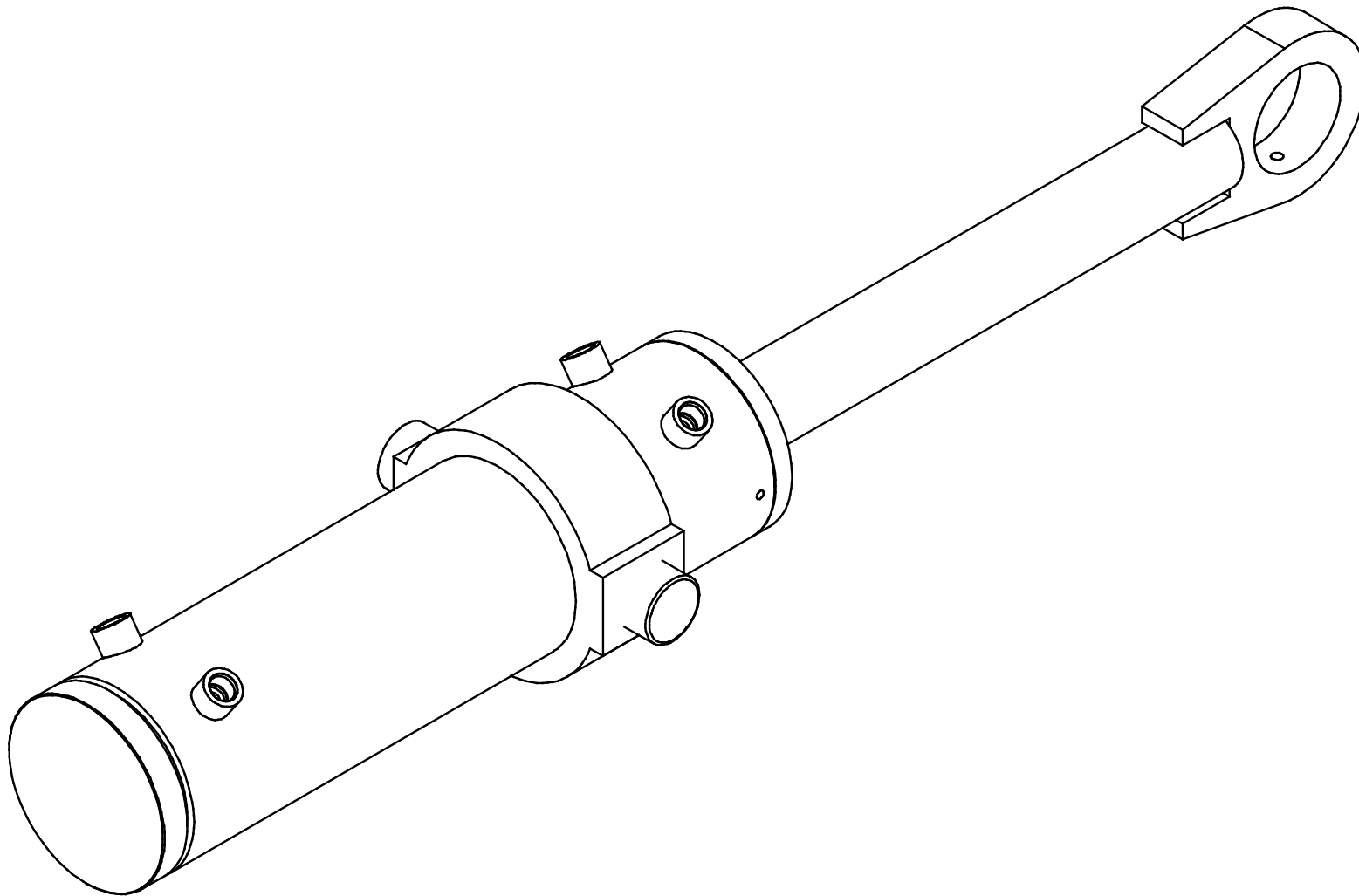
rwf_0149

Item	Quantity	Part Number	Description
1	4	16626	LOCK NUT
2	8	80584	WASHER
3	4	16625	HEX HEAD BOLT
4	4	12430	KEYSTOCK
5	1	40460	SHAKER BOX (SEE SECTION 9.3-4 FOR ASSEMBLY BREAKDOWN)
6	2	90076	STRAIGHT ADAPTER
7	1	90068	STRAIGHT ADAPTER



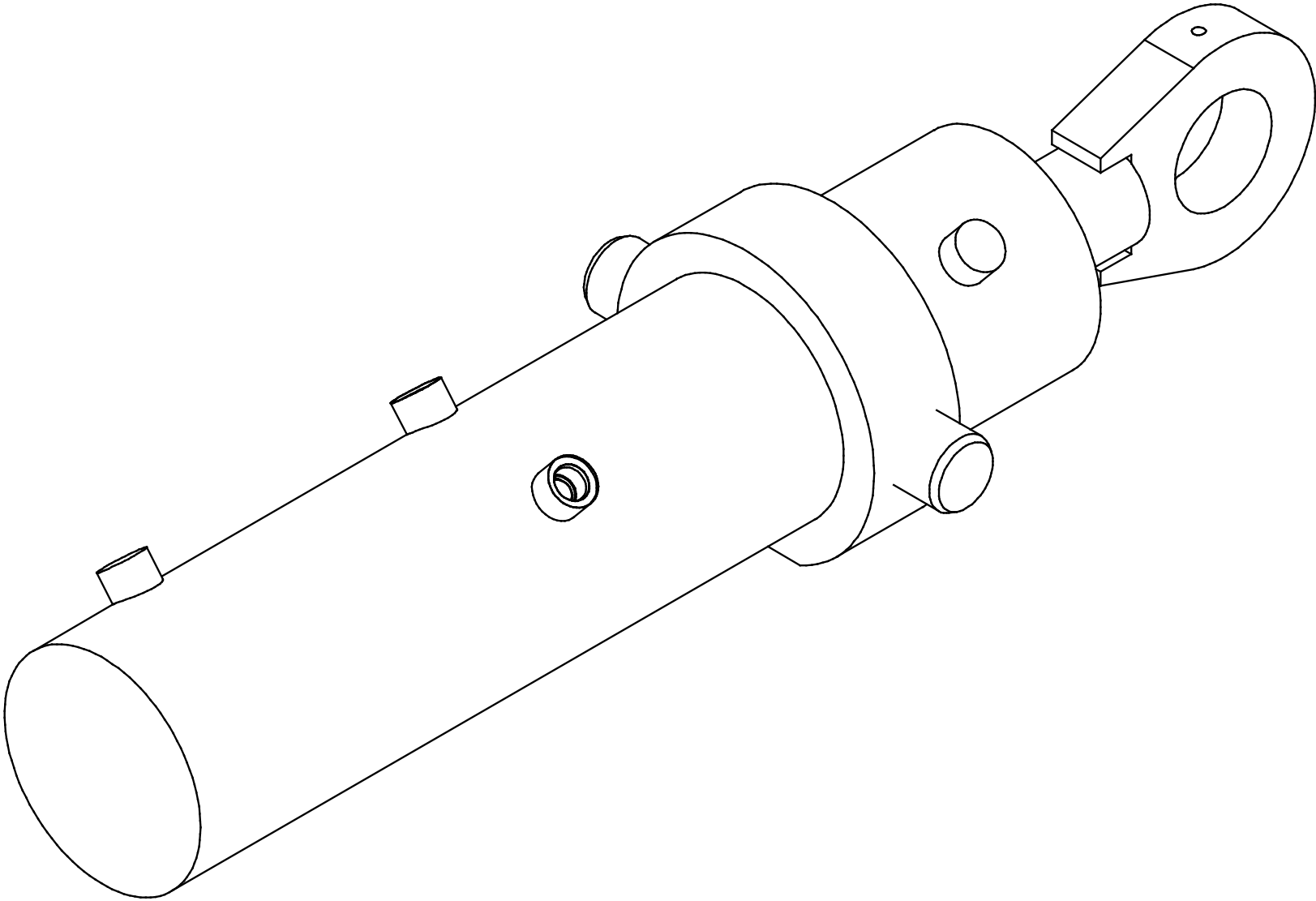
rwf_0150

Item	Quantity	Part Number	Description
1	12	80068	HEX HEAD BOLT
2	12	80580	WASHER
3	2	20609	COVER
4	1	80682	90° GREASE FITTING
5	8	80071	HEX HEAD BOLT
6	36	80567	LOCK WASHER
7	1	20617	BLIND COVER
8	4	14776	SHAKER BEARING
9	1	11028	SHAKER BOX HYDRAULIC MOTOR
13	4	14777	SHAKER SHAFT OIL SEAL
14	6	80075	HEX HEAD BOLT
15	1	20616	SHAKER DRIVE COVER PLATE
16	1	14798	SHAKER SHAFT OIL SEAL
17	1	14781	KEY
18	1	20606	DRIVEN SHAFT
19	2	14782	KEY
20	1	20605	SHAKER DRIVE SHAFT
21	18	80069	HEX HEAD BOLT
22	1	17003	BREATHER
23	1	12044	FLUID LEVEL GAUGE
24	1	30387	GEAR COVER
25	1	14786	PLUG
26	4	80070	HEX HEAD BOLT
27	2	14779	END PLATE
28	2	20607	SHAKER GEAR
29	2	14778	SHAKER RETAINING RING
30	4	80516	LOCK NUT
31	4	20608	SHAKER WEIGHT
32	4	80100	HEX HEAD BOLT
33	1	31462	SHAKER BOX
34	2	14783	SHAKER SPACER
35	1	80680	STRAIGHT GREASE FITTING
36	2	14780	KEY



rwf_0151

Item	Quantity	Part Number	Description
1	1	15459	SWIVEL BEARING
2	1	12495	SEAL KIT
3	1	17661	ROD EYE
4	1	12214	BARREL WELDMENT
5	1	10726	STOVER NUT
6	1	12300	PISTON
7	1	12318	ROD WELDMENT
8	1	12250	GLAND
9	1	80680	STRAIGHT GREASE FITTING
10	1	140681	CYLINDER BARREL END PLATE

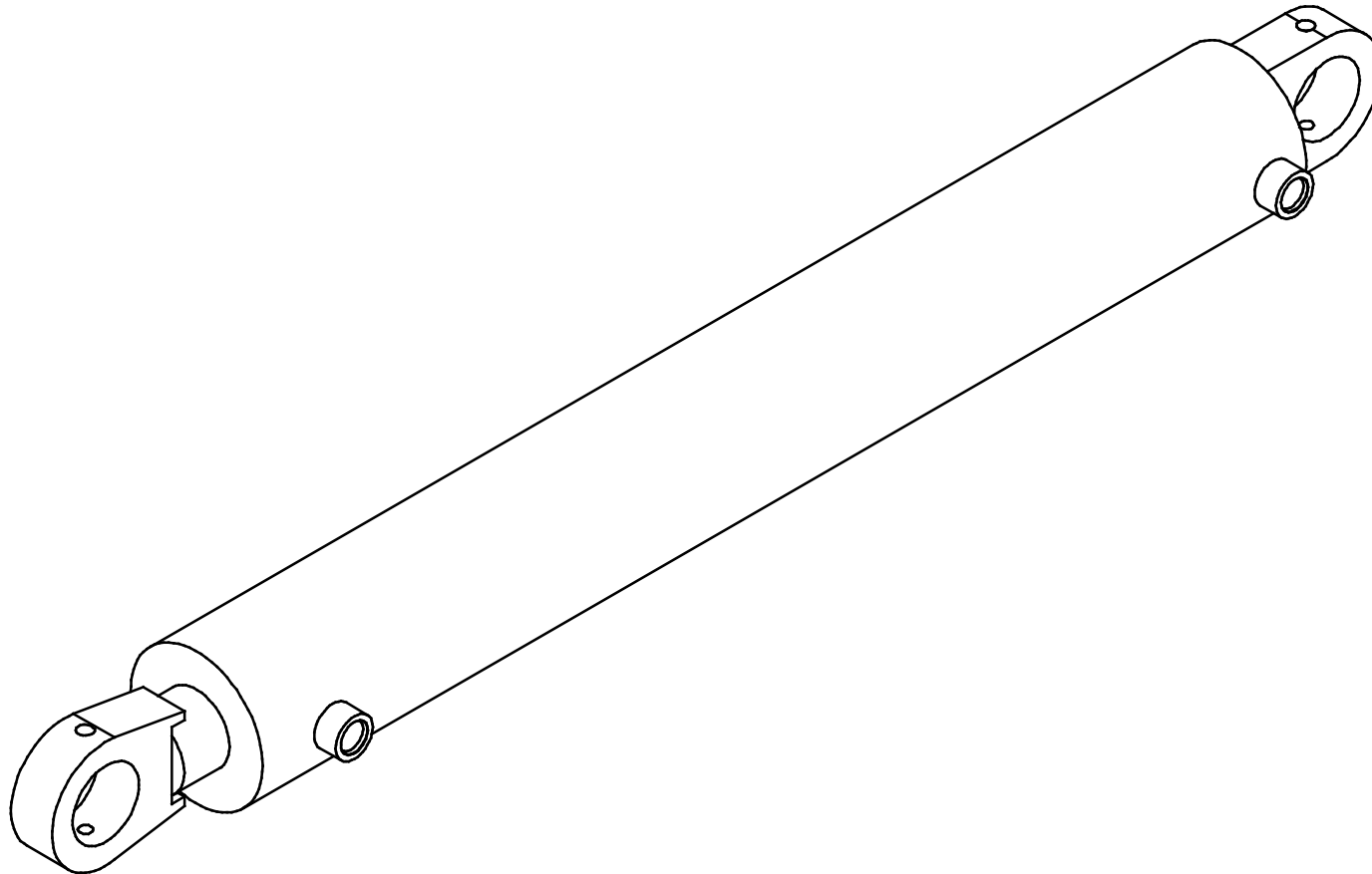


rwf_0152

Item	Quantity	Part Number	Description
1	1	12003	BUSHING
2	1	12496	SEAL KIT
3	1	12218	BARREL WELDMENT
4	1	12480	STOVER NUT
5	1	12304	PISTON *
6	1	12322	PISTON **
7	1	12254	GLAND
8	1	80680	STRAIGHT GREASE FITTING

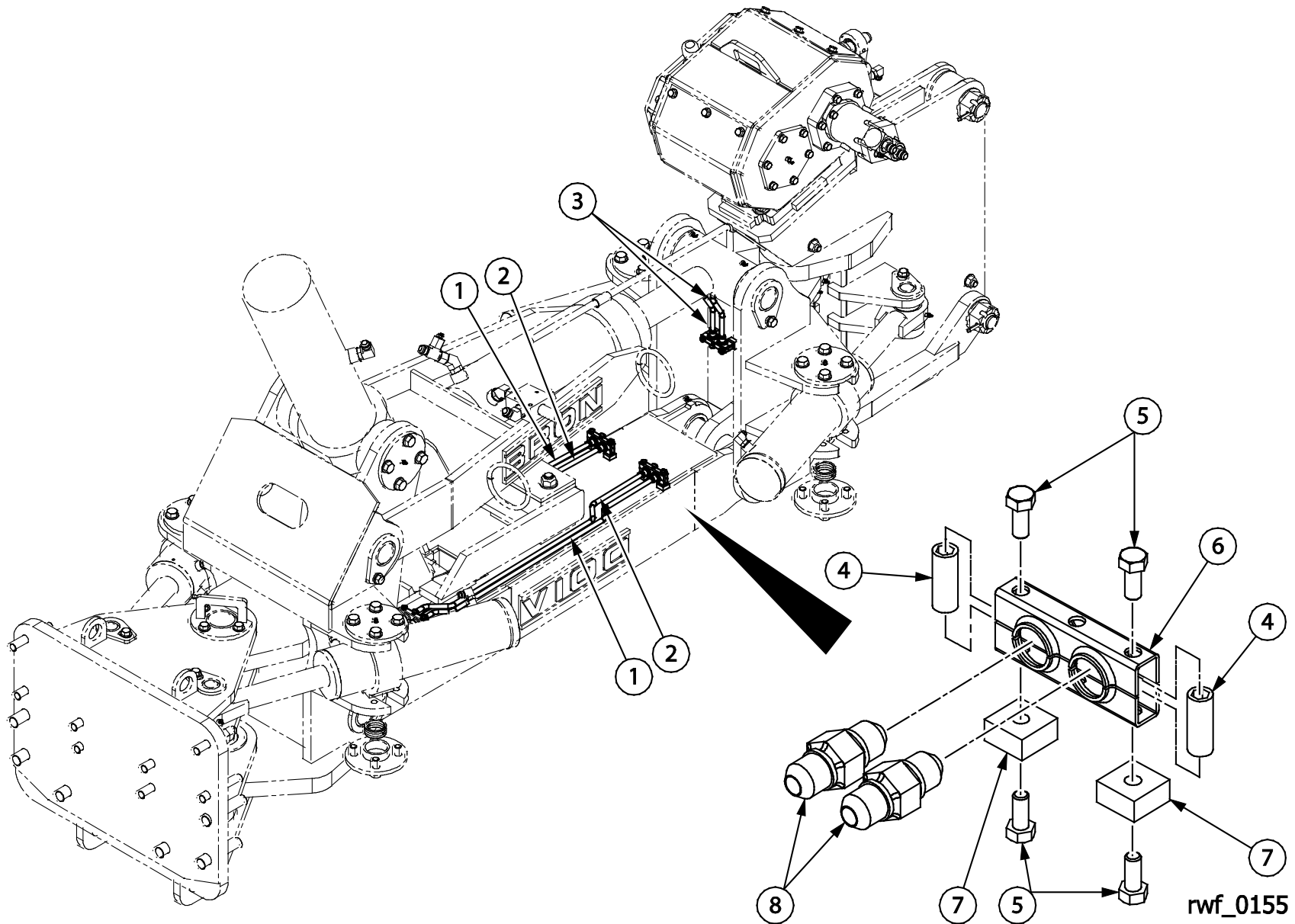
* PLEASE VERIFY WHICH PISTON IS CORRECT.

** PLEASE VERIFY WHICH PISTON IS CORRECT.

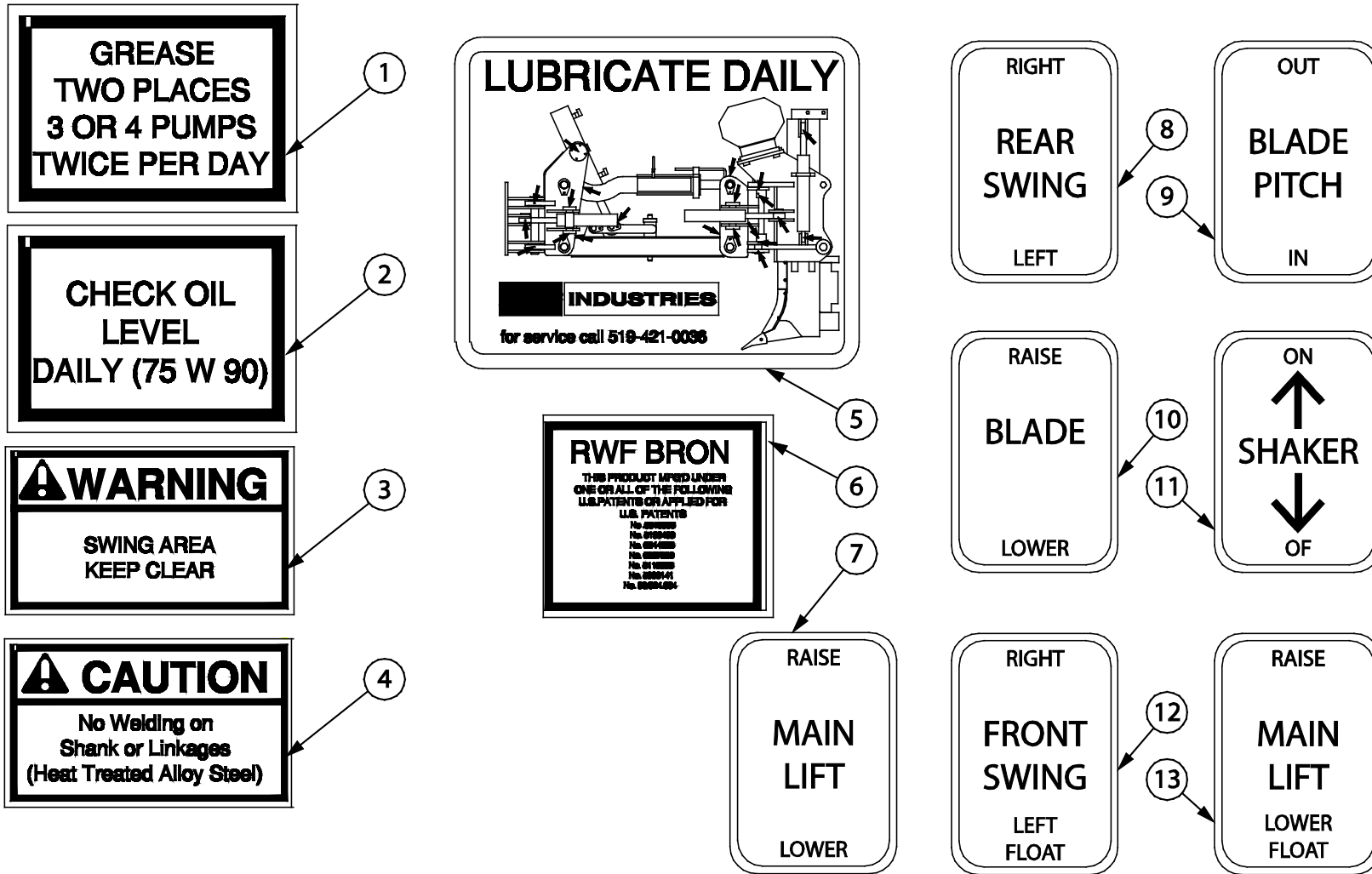


rwf_0154

Item	Quantity	Part Number	Description
1	2	12981	SWIVEL BUSHING
2	1	13450	SEAL KIT
3	1	120361	CYLINDER ROD EYE
4	1	121487	CYLINDER LUG EYE END
5	1	13446	BARREL WELDMENT
6	1	10719	STOVER NUT
7	1	13448	PISTON
8	1	13447	ROD WELDMENT
9	1	13449	GLAND
10	4	80680	STRAIGHT GREASE FITTING



Item	Quantity	Part Number	Description
1	2	13751	OUTER TUBE ASSEMBLY
2	2	3752	INNER TUBE ASSEMBLY
3	4	13168	TUBE ASSEMBLY
4	16	90891	STACKING NUT
5	32	80014	HEX HEAD BOLT
6	8	90890	DOUBLE UNIT CLAMP
7	16	90893	COUNTER SUNK HEX BOLT WELD ADAPTER
8	16	90894	JUNCTION ADAPTER



rwf_0156

Item	Quantity	Part Number	Description
1	1	16944	GREASING DECAL
2	1	16943	CHECK OIL DAILY DECAL
3	4	11983	WARNING SWING AREA DECAL
4	2	11982	WARNING NO WELDING DECAL
5	1	17162	LUBRICATE DAILY DECAL
6	1	16923	PATENT DECAL
7	1	18596	OPTIONAL MAIN LIFT (NO FLOAT) DECAL
8	1	11985	DECAL REAR SWING
9	1	18597	BLADE PITCH DECAL
10	1	18598	BLADE HEIGHT DECAL
11	1	11984	SHAKER ON/OFF DECAL
12	1	11987	FRONT SWING DECAL
13	1	11986	MAIN LIFT DECAL
14	REF	REF	SERIAL # PLATE *CANNOT BE ORDERED*
15	2	80770	RIVET